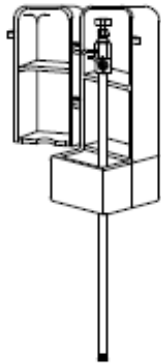
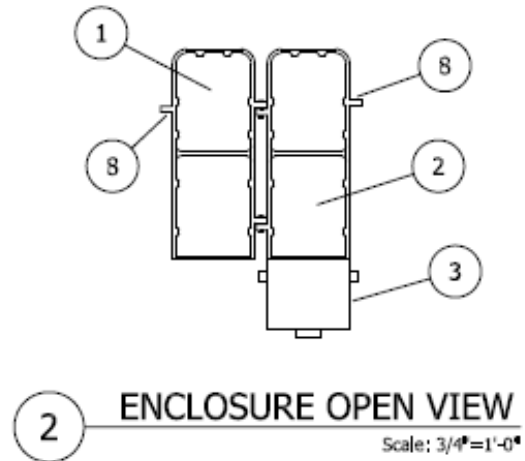
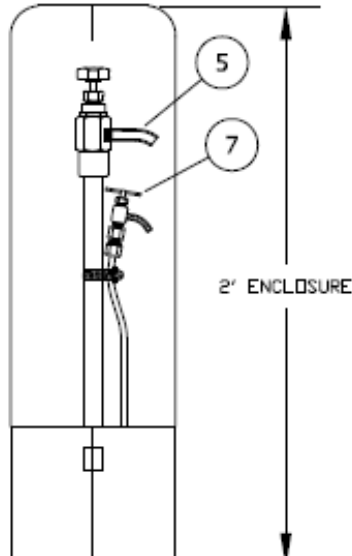


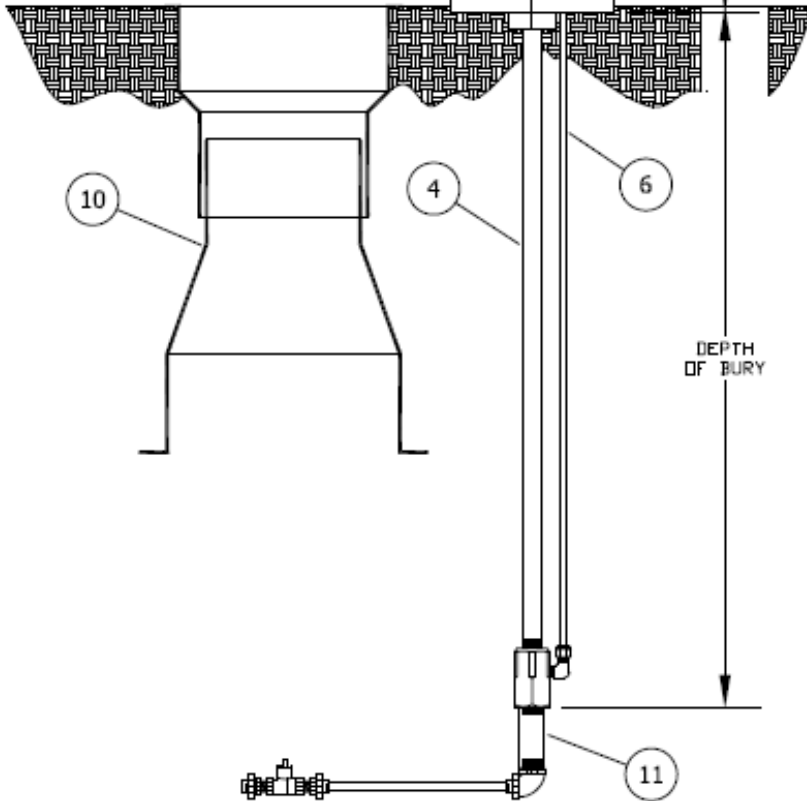
#88-SS SAMPLING STATION SPEC SHEET



1 **3D VIEW**
Scale: Not To Scale



2 **ENCLOSURE OPEN VIEW**
Scale: 3/4"=1'-0"



SAMPLING STATION SHALL BE _____' BURY, WITH A 3/4" FIP INLET, AND 7/16" UNTHREADED BLOW OFF AND SAMPLING BIBB.

STATION SHALL BE ENCLOSED IN A LOCKABLE, NON-REMOVABLE ALUMINUM BOX WITH HINGED OPENINGS.

WHEN OPEN, THE STATION SHALL REQUIRE NO KEY FOR OPERATION, AND ALL WATER FLOW SHALL PASS THRU AN ALL STAINLESS STEEL WATERWAY.

ALL WORKING PARTS SHALL BE OF STAINLESS STEEL AND SERVICABLE FROM ABOVE GROUND WITH NO DIGGING OR REPLACEMENT NEEDED.

A STAINLESS STEEL PET COCK WILL BE LOCATED BELOW THE SAMPLING BIBB TO ALLOW PUMPING OF ANY WATER REMAINING INSIDE THE STATION TO INSURE NON-FREEZING.

THE STATION SHALL BE MODEL #88-SS AS MANUFACTURED BY THE KUPFERLE FOUNDRY, ST. LOUIS MO. 63102 OR APPROVED EQUAL.

ITEM	ITEM / DESCRIPTION	NOTES
1	88 FRONT DOOR (COVER A)	
2	88 REAR DOOR (COVER B)	
3	88 BASE	2 PIECES
4	1/2" S.S. WATERWAY	
5	BLOW OFF & SAMPLING BIBB	
6	1/4" S.S. TUBING	
7	PET COCK	
8	LOCKING HOLE	
9	NOT USED	
10	VALVE BOX	BY OTHERS
11	3/4" S.S. NIPPLE	BY OTHERS

VILLAGE OF WHEELING SPECIFICATIONS AND DETAILS	
FILE LOCATION	
T:\ENGINEERING\STANDARDS	



VILLAGE OF WHEELING
ENGINEERING DIVISION
2 COMMUNITY BOULEVARD
WHEELING, IL 60090
WWW.WHEELINGIL.GOV

WATER SAMPLING STATION

REVISIONS		DETAIL NO.
C.J.C.	11-27-07 AUTOCAD FILE	
C.J.C.	08-08-08 VILLAGE REVISIONS	
K.R.G.	08-31-11 TEE REVISIONS	